

# EU Declaration of Conformity

**LEO**  
WORKWEAR



Product Type: High Visibility Crew Neck Sweatshirt  
Manufacturer: Leo Textiles T/A LEO WORKWEAR  
Product ID: SS05-O  
Name: WINKLEIGH  
Model/Label: SS-003 (R/T)

The above product is in conformity with the regulation (EU) 2016/425 and is identical to the PPE which is the subject of EU certificate 2777/23159-01/E00-00 issued by **SATRA Technology Europe Ltd, Notified Body 2777**, Bracetown Business Park, Clonee, D15Y N2P, Republic of Ireland.

Relevant Harmonized Standards / Technical Specifications used to which conformity is declared:

EN ISO 20471:2013 + A1:2016 (Class 3), and RIS-3279-TOM (Issue 2:2019).

This declaration of conformity is issued under the sole responsibility of LEO WORKWEAR.

Signed for on behalf of LEO WORKWEAR

Name: Peter Turner

Date: 14/12/2022

Position: Director

Signature:



# WINKLEIGH



LEO ECOVIZ® CREW NECK SWEATSHIRT  
CODE: SS05-O-LEO

## WHY THE WINKLEIGH?

Tough, warm and comfortable; everything you want from a high visibility sweatshirt. Now crafted from 50% recycled polyester.



ISO 20471  
CLASS 3



RAILWAY ST'D  
RIS-3279-TOM



6211331000



72-84cm  
LENGTH



S-6XL



BOX  
QUANTITY



50 WASH  
CYCLES



DURABLE  
FABRIC



COMFORTABLE  
COTTON

## FEATURES

- > 50% EcoViz® recycled polyester, 50% cotton, 300gsm
- > Orange trim
- > Ribbed cuffs and hem
- > Quilted fabric



FABRIC

EcoViz® 50% recycled polyester  
50% cotton, 300gsm



TAPE

Retromax®+ stretch reflective tape



CARE LABEL

CERTIFIED TO 50 WASH CYCLES

COLOUR RIS-3279-TOM also available in



Positive Impact of this product:

- Recycled polyester, less CO2 & energy emissions
- Durable design and components, built to last
- GRS certified yarns

SIZE	S	M	L	XL	XXL	3XL	4XL	5XL	6XL
CHEST TO FIT (CM)	86-94	94-102	102-110	110-118	118-126	126-134	134-142	142-150	150-158

# UKCA Declaration of Conformity



Product Type: High Visibility Crew Neck Sweatshirt  
Manufacturer: Leo Textiles T/A LEO WORKWEAR  
Product ID: SS05-O  
Name: WINKLEIGH  
Model/Label: SS-003 (R/T)

The above product is in conformity with the Regulation 2016/425 on personal protective equipment, as amended to apply in GB and is identical to the PPE which is subject of UKCA certificate AB0321/23518-01/E00-00 issued by **SATRA, Approved Body 0321**, SATRA Technology Centre Limited, Wyndham Way, Telford Way, Kettering, Northamptonshire, NN16 8SD, United Kingdom.

Relevant Harmonized Standards / Technical Specifications used to which conformity is declared:

EN ISO 20471:2013 + A1:2016 (Class 3), and RIS-3279-TOM (Issue 2:2019).

This declaration of conformity is issued under the sole responsibility of LEO WORKWEAR.

Signed for on behalf of LEO WORKWEAR

Name: Peter Turner

Date: 26/01/2023

Position: Director

Signature:

A handwritten signature in black ink, appearing to read "Peter Turner", written over a light grey background.

Leo Workwear | 1 Whiddon Drive | Barnstaple | Devon | EX32 8RY

leoworkwear.com | Tel: 01271 378904 | Fax: 01271 327887

Company registered in England no. 1553406. Registered office as above. VAT Registration No. 321166104

Leo Workwear is a Trading Style of Leo Textiles Ltd.



# USER INFORMATION SHEET



The following garments comply with the requirements of PPE Regulation (EU) 2016/425 and Regulation 2016/425 on personal protective equipment, as amended to apply in GB and the following standards - BS EN 13688: 2013 + A1: 2021 and BS EN ISO 20471: 2013 + A1: 2016 using conforming retroreflection performance material and Fluorescent Yellow or Orange background material. Orange fabric complies to rail industry standard RIS-3279-TOM Issue 2: 2019.



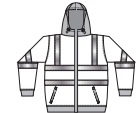
The Declaration of Conformance for this item is available from: [leoworkwear.com](http://leoworkwear.com) or by contacting Leo Workwear at the address below.



**Style: SS-001, SS-001 (R/T)**

**Description:** High visibility recycled sweatshirt

**BS EN ISO 20471: 2013 + A1: 2016 Class 3** areas of visible background and retroreflective tape. Two bands of retroreflective material encircling the torso and sleeves, one band over each shoulder.



**Style: SS-002, SS-002 (R/T)**

**Description:** High visibility recycled sweatshirt

**BS EN ISO 20471: 2013 + A1: 2016 Class 3** areas of visible background and retroreflective tape. Two bands of retroreflective material encircling the torso and sleeves, one band over each shoulder.



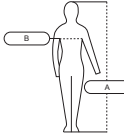

**Style: SS-008, SS-008 (R/T)**

**Description:** High visibility recycled dual colour sweatshirt

**BS EN ISO 20471: 2013 + A1: 2016 Class 2** areas of visible background and retroreflective tape. Two bands of retroreflective material encircling the torso and sleeves, one band over each shoulder.

**Badge information:** SS-001 (R/T), SS-002 (R/T) & SS-008 (R/T) to RIS-3279-TOM Issue 2: 2019

Restricted to company or project name and logo that identify who an individual is working for and titles or designations associated with the management of incidents: Press Officer, Recovery Engineer, First Aider, Train Operators' Liaison Officer (TOLO).

	A	B	<b>Garment fit:</b> Fit according to chest size: 	BS EN ISO 20471 Minimum required areas of visible material in m <sup>2</sup>			
				Garment class	3	2	1
<b>Small</b>	156 - 204	86 - 94		Background material	0.8	0.5	0.14
<b>Medium</b>	156 - 204	94 - 102		Retroreflective material	0.2	0.13	0.1
<b>Large</b>	156 - 204	102 - 110		Combined performance material	-	-	0.2
<b>XL</b>	156 - 204	110 - 118		 <b>BS EN ISO 20471: 2013 + A1: 2016</b>			
<b>XXL</b>	156 - 204	118 - 126					
<b>3XL</b>	156 - 204	126 - 134					
<b>4XL</b>	156 - 204	134 - 142					
<b>5XL</b>	156 - 204	142 - 150					
<b>6XL</b>	156 - 204	150 - 158					
Measurements in centimetres							

**Limitations of use, warning of misuse:**

Garments must be worn outside of trousers to maintain visualisation of maximum area of required high visibility. Garments must be worn fastened. Should the high visibility properties of garments become seriously impaired the item should be replaced.

**Storage:** Garments should be stored and transported in clean, dry conditions. DO NOT store in areas subject to direct sunlight.

**Cleaning:**



Machine wash at 40°C, do not bleach, do not dryclean, do not tumble dry, do not iron.  
Maximum number of wash cycles 50.  
Wash separately



The stated maximum number of cleaning cycles is not the only factor related to the lifetime of the garment. The lifetime will also depend on usage, care, storage, etc.

**Recycling:** Dispose of product according to local environmental guidelines.

**Materials:** Product incorporates:- Recycled Polyester/Cotton, Retroreflective tape

For more information, contact:

**LEO WORKWEAR**

1 Whiddon Drive, Barnstaple,  
Devon, EX32 8RY

01271 378904

[www.leoworkwear.com](http://www.leoworkwear.com)

UKCA Type Examination Conducted by:

**BTTG Testing & Certification**

Unit 6, Wheel Forge Way,  
Trafford Park, Manchester

M17 1EH

**Approved body: 0338**

EU Type Examination Conducted by:

**Shirley Technologies Europe Limited**

Sky Business Centre, Unit 21, Block 1,  
Port Tunnel Bus. Park, Clonsbaugh Bus. & Tech. Park

Dublin 17

**Notified body: 2895**